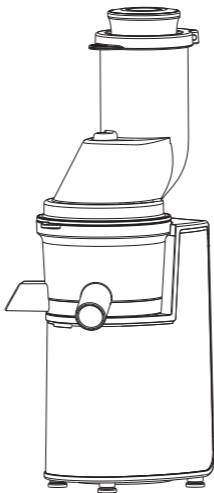


KOIOS

SLOW JUICER

USER MANUAL



Spoil Your Home with KOIOS

www.mykoios.com/warranty

facebook.com/mykoios

ACTIVATE YOUR 12 MONTH WARRANTY & GET EXCLUSIVE GIFT

Register within 2 weeks after receiving your new product.

PLEASE VISIT NOW

→ www.mykoios.com/warranty

CUSTOMER SERVICE



support@mykoios.com



@mykoios



NOTE

1. DO NOT let the machine operate empty.
2. To ensure longer product life, please DO NOT use continuously for more than 20 minutes.
3. For better cleaning methods, please refer to the instructions.

A Big Thank You

We're thrilled that you have chosen to purchase the Koios slow juicer. At KOIOS, we're committed to providing you with products that enhance your daily life. We also aim to give our customers excellent support. Should you have any questions or feedback about your new product, simply get in touch with our customer support team at 1-855-558-8777, or by email at support@mykoios.com.

Enjoy your new product!

CONTENTS

PRODUCT FEATURES	01
IMPORTANT NOTES	03
PACKAGING CONTENTS	04
ASSEMBLING	05
USAGE	07
CLEANING	08
TROUBLESHOOTING	09
DESCRIPTION OF MAJOR PARTS	11

PRODUCT FEATURES

Thank you for your purchase of the Slow Juicer. You can easily create your own personalised juice from various types of fruits and vegetables with it.

RETAINS MORE NUTRIENTS AND FLAVOUR

Traditional juicers utilize a fast spinning metal blade that spins and cuts fruits against a mesh filter to extract the juice from its flesh.

Such centrifugal force generates heat and oxygen which destroys most of the enzymes in the fruits and vegetables rendering less nutritious and even a poorer taste in the juice. Spinning at a low speed of 80RPM, Slow Juicer slowly squeezes the fruits and extracts the juice without introducing much frictional heat and oxygen thus keeping more of the natural freshness and nutrients from the fruits and vegetables intact. Unlike most traditional juicers that grind vegetables into mash rather than extracting the real juice, slow juicer juices a wide variety of fruits and vegetables utilizing its powerful motor revolving at a low speed of 80RPM.

IT'S INTUITIVE, CONVENIENT

With the juice cap, you can store and mix your juices in the chamber and easily release the exact amount of juice without making any mess or wastage.

EASY TO RINSE AND CLEAN

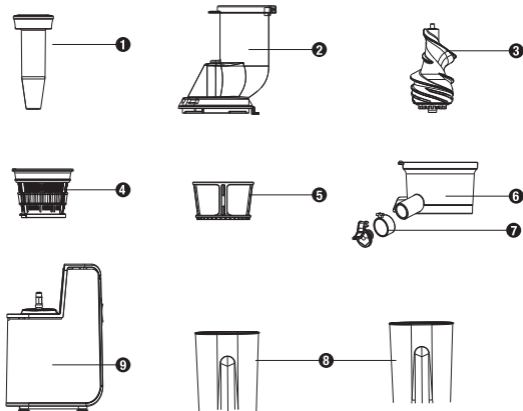
It is not necessary to disassemble and wash the chamber during each juicing session. Simply close the juice cap, pour clean water into the running juicer and let it spin for 15-20 seconds. Turn off the appliance and open the juice cap and discharge the water and the residues.

Unplug the power cord and remove the top cover, disassemble parts by lifting up the chamber, remove and wash the Auger and Micro-Mesh Filter.

IMPORTANT NOTES

1. Assemble and Position the device properly. During use, ensure that the parts are properly assembled and firmly positioned on a smooth, safe, and stable ground.
2. No movement during use. Avoid moving any part of the machine component during usage.
3. No Unnecessary Materials. Do not put unnecessary materials or objects on the inlet and outlet which may cause blockage or damage to the device.
4. Usage of Cleaning Utensils. Do not use a metal brush, any sharp tool, or any kind of abrasive material in cleaning your device.
5. Damp cloth for Main Unit. Do not immerse or wash the Main Unit with water when cleaning. Use a damp cloth to wipe off stains or splashes.
6. 15 minute - Avoid using the machine for more than 15 mins to prevent overheating.
7. Auger problems. If the Auger becomes jammed during its juicing and the machine stops working, please press the REV Button of your machine for 3~5 seconds to reverse the Auger's rotation, then press the ON button. This will restart the machine and continue working properly.
8. Avoid boiling and using Hot water. Do not boil the machine or any of the components of the machine in hot water for more than 60C.
9. Turn off the power if the machine is unused.

PACKAGING CONTENTS



1 Pressing Rod

2 Surface Cover

3 Rotor

4 Screening Cylinder

5 Screen Brush

6 Feeding Cylinder

7 Juice-Extracting Mouth

8 Juice / Pulp Cup

9 Product Body

ASSEMBLING

The slow juicer is not only easy to use but is also very easy to assemble at the same time. Simply follow the 5-step setup provided below in assembling and you're ready to go!

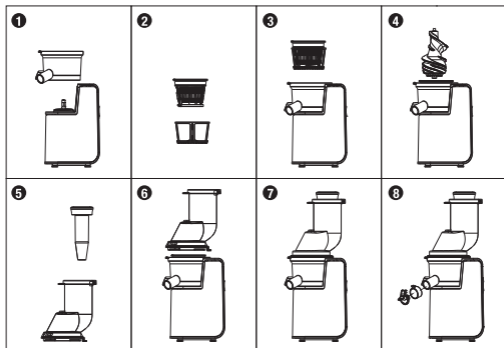
Position the chamber properly on the Main Unit. Ensure that the chamber has been positioned properly against the Main Unit.

Install the Auger firmly inside the slow juicer's chamber. Ensure that it has been firmly positioned inside the chamber.

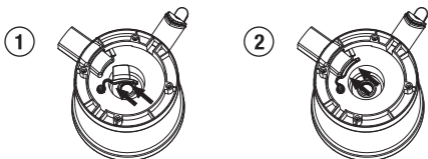
Place the Micro-mesh Filter firmly inside the Chamber, enclosing the Auger around its confines. Ensure that the Micro-mesh Filter encloses the chamber.

Place the Top Cover on top of the Chamber, the Micro-mesh Filter, and the Auger firmly while aiming for the UNLOCK MARK on the Main Unit.

Fasten the Top Cover to the LOCK MARK to hold it firmly in place.



In removing the rubber footing:



- **NOTE:** The chamber is equipped with a rubber footing. Ensure that the rubber footing is plugged into the chamber BEFORE USE. At the same time, ensure to remove the rubber footing of the chamber BEFORE CLEANING.

USAGE

Simply follow the instructions provided below when using the machine.

1. Best use with fresh fruits for the highest water content.
2. Wash and cut fruits in sizes that can fit into the tube.
3. Remove the pits and hard core from the fruits.
4. Put food materials into feeding tube and slightly press down slowly using the fruit pusher.

When the machine is stopped during juicing

1. Did you use more than 15mins?

If Yes, wait for 5 minutes for the slow juicer to cool down. Press and hold the "R" button for 2-5 seconds to push the fruits upwards.

2. Press on to resume juicing.



NOTES:

- * Do not force in the fruits during juicing to prevent damage to the Auger and Micro-Mesh Filter.
- * This machine is not suitable for juicing cereal and sugarcane.
- * Do not juice continuously for more than 15mins.

CLEANING

Unlike other slow juicers, this machine is very easy to clean.

Simply follow the instructions provided below in cleaning the machine.

1. Turn ON the machine and pour in water, this will immediately push out the remaining residue left in the chamber and Auger.
2. Turn OFF the machine and unplug the power adapter from the power outlet.
3. Rotate the top cover (See package contents) to the UNLOCK MARK and remove the top cover.
4. Lift and remove the chamber, the juicing net, and the Auger. You may now clean each component individually.

TROUBLESHOOTING

Please check the details below before calling our Technical Support for repair or service.

MACHINE DOES NOT START

- * Check if the device is plugged properly to a power outlet.
- * Check the parts of machine and make sure that each component is assembled and attached correctly.

MACHINE'S JUICE OUTPUT IS LOW

- * Ensure that the rubber at the bottom of chamber is plugged tightly and firmly to the chamber.
- * Fresh fruits give the highest level of juice content.

MACHINE STOPS WORKING

- * Check if you have put excessive food materials in the machine.
- * Check food material composition (e.g. cords, hard fruit core) that may have caused blockage.
- * Press the REV Button for 3 to 5 seconds, and then press the ON button.
If the machine is still not working, simply turn it OFF and the chamber.

MACHINE EMITS SOUND WHILE JUICING AND VIBRATES

- * It is normal for the machine to produce some sound as it squeezes the fruits or vegetables into marsh.
- * Depending on the type of ingredient, hard ingredients (such as carrot, potato, beetroot, radish and etc.) may cause the machine to emit louder than soft ingredients.

DESCRIPTION OF MAJOR PARTS

Product name: Slow Juicer

Product model: GS-133L

Rated voltage: 100-120V~

Frequency: 50/60Hz

Rated power: 200W

ACTIVATE YOUR 12 MONTH WARRANTY & GET EXCLUSIVE GIFT

Register within 2 weeks after receiving your new product.

PLEASE VISIT NOW

→ www.mykoios.com/warranty

CUSTOMER SERVICE



support@mykoios.com



@mykoios



NOTE

1. DO NOT let the machine operate empty.
2. To ensure longer product life, please DO NOT use continuously for more than 20 minutes.
3. For better cleaning methods, please refer to the instructions.

KOIOS

✉ support@mykoios.com

▶ www.mykoios.com

☎ 1-855-558-8777 (Mon - Fri 9:00 AM - 5:00 PM EST)



Model NO. GS-133L Made in China