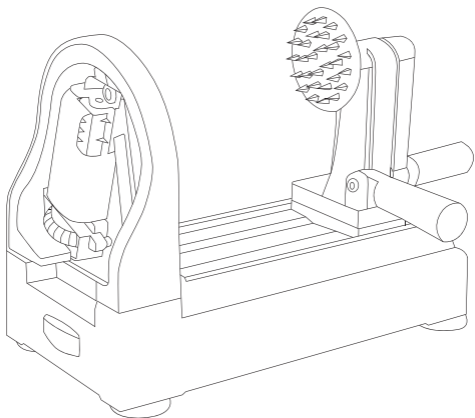


KOIOS

VEGGIE TURNING SLICER

USER MANUAL



Spoil Your Home with KOIOS

www.mykoios.com/warranty

facebook.com/mykoios

ACTIVATE YOUR 12 MONTH WARRANTY & GET EXCLUSIVE GIFT

Register within 2 weeks after receiving your new product.

PLEASE VISIT NOW

→ www.mykoios.com/warranty

CUSTOMER SERVICE



support@mykoios.com



@mykoios



NOTE

1. Wash and (if necessary) peel and cut veggies into symmetrical shapes before spiralizing.
2. Center the veggies on the spiralizer.
3. Push down on all 4 corners to make sure the suction cups are all secured on the surface.

A Big Thank You

We're thrilled that you have chosen to purchase the VEGGIE TURNING SLICER. At KOIOS, we're committed to providing you with products that enhance your daily life. We also aim to give our customers excellent support. Should you have any questions or feedback about your new product, simply get in touch with our customer support team at 1-855-558-8777, or by email at support@mykoios.com.

Enjoy your new product!

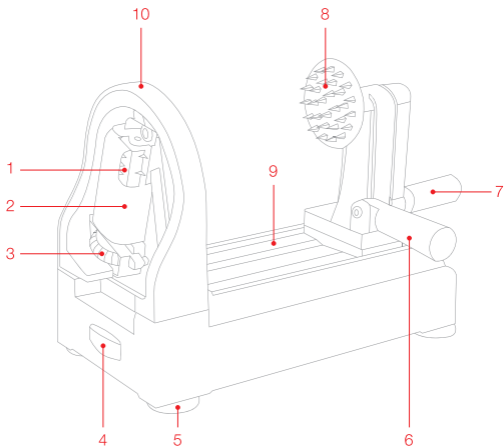
CONTENTS

USER MANUAL	01
PRODUCT INTRODUCTION	02
INSTALLATION	04
HOW TO CLEAN	05
USAGE TIPS	06
WARNING	06

USER MANUAL

With this spiralizer, master the art of transforming vegetables and fruit: offer healthy dishes, based on fresh produce, in minutes! All nutrients and vitamins you need! Please read this user manual carefully.

PRODUCT INTRODUCTION



1. Blade block
2. Blade block cover
3. Blade block switch
4. «Release »Button
5. Non-slip pads (x4)
6. Folding side handle
7. Crank
8. Veggie picks
9. Guide
10. Blade holder

INSTALLATION



1. Place your turning slicer on a flat and smooth surface, press firmly to stabilize and secure the non-slip pads (5) under the machine.



2. Insert the blade holder (10) into the notches above the «release» button (4). You hear a lock click.

3. Select the correct blade for the desired cut by pressing and turning the blade block switch (3), located below the blade block (1). Each blade has its locking catch.



4. Place the veggie to be prepared on the guide (9): use the picks (8) to fix the food horizontally.

5. Grasp the folding side handle (6) with one hand to direct the guide (9) forward or backward. Use the other hand to grasp the crank (7) and turn it clockwise.

HOW TO CLEAN?

1. Completely remove the guide (9) using the folding handle (6).
2. Using the «RELEASE» button (4), carefully remove the blade holder (10) by holding it at the top.
3. Dishwasher safe, prefer a hand wash with immediate drying to store in a place out of reach of children.

USAGE TIPS

- Never use the product without first stabilizing it (step 1).
- You can place a collection container behind the blade holder (10).
- ALWAYS pull back the blade block cover (2) onto the blade unit (1) to avoid any incident.
- ALWAYS clean your appliance between uses to ensure product hygiene and durability.

WARNING

Keep out of the reach of children. This utensil is not a toy.

Handle the blades carefully because they are very sharpened: always protect themselves with the blade block cover (2).

ACTIVATE YOUR 12 MONTH WARRANTY & GET EXCLUSIVE GIFT

Register within 2 weeks after receiving your new product.

PLEASE VISIT NOW

→ www.mykoios.com/warranty

CUSTOMER SERVICE



support@mykoios.com



@mykoios



NOTE

1. Wash and (if necessary) peel and cut veggies into symmetrical shapes before spiralizing.
2. Center the veggies on the spiralizer.
3. Push down on all 4 corners to make sure the suction cups are all secured on the surface.

KOIOS

✉ support@mykoios.com

▶ www.mykoios.com

☎ 1-855-558-8777 (Mon - Fri 9:00 AM - 5:00 PM EST)



Model NO. W689 Made in China